

INSTALLATION INSTRUCTIONS

PART#AA- 026428

**T2 ROLL BAR
FOR FORD RANGER**

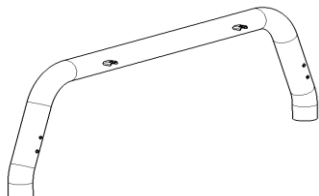
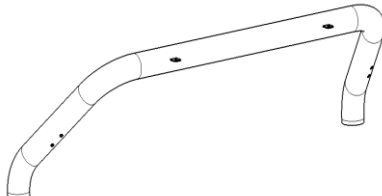
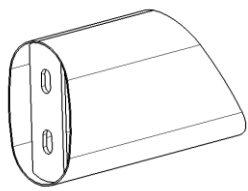

Before Installation

- Please read the instruction completely for easy installation, which will also help you to avoid scratches or other potential damages to your appealing car.
- The information shown here is for reference only and may differ from the product that you receive, however the goods are fitted in the same way.


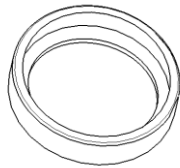
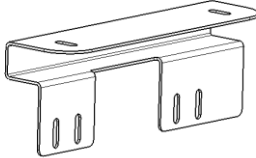
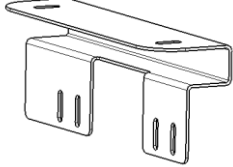
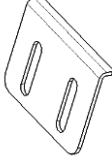
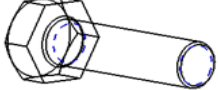



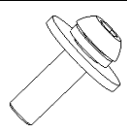
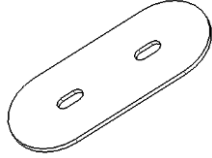
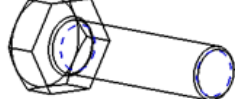
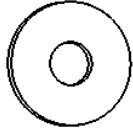



Care and Cleaning

- Mild soap may be used also to clean the Product.
- Please periodically check and retighten all the hardware and clean the investment for a refresh look.

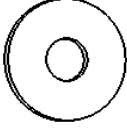

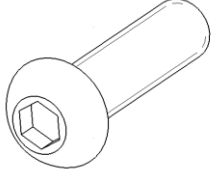
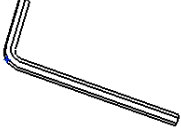
Parts list

NO.	QTY	PICTURE	NO.	QTY	PICTURE
①	1	 FRONT MAIN TUBE	②	1	 REAR MAIN TUBE
③	2	 SIDE TUBE	④	2	 FRONT PLASTIC COVER

INSTALLATION INSTRUCTIONS

⑤	2		⑥	4	
		REAR PLASTIC COVER			PLASTIC COVER 1
⑦	1		⑧	1	
		BRACKET (LEFT)			BRACKET (RIGHT)
⑨	4		⑩	8	
		BRACKET 2			HEX NUT M6*30
⑪	8		⑫	10	
		Split Washers D6			LARGE WASHER D6
⑬	2		⑭	2	
		HEX NUT M6			Button Head Bolt Assembly M6_20
⑮	2		⑯	8	
		PLATE			HEX NUT M10*30
⑰	16		⑱	8	
		LARGE WASHER D10			Split Washers D10
⑲	8		⑳	1	
		HEX NUT M10			HEX WRENCH S=8

INSTALLATION INSTRUCTIONS

<p>⑳</p>	<p>4</p>	 <p>LARGE WASHER D12</p>	<p>㉒</p>	<p>4</p>	 <p>SPLIT WASHER D12</p>
<p>㉓</p>	<p>4</p>	 <p>HEX BOLT M12*45</p>	<p>㉔</p>	<p>1</p>	 <p>HEX WRENCH S=4</p>

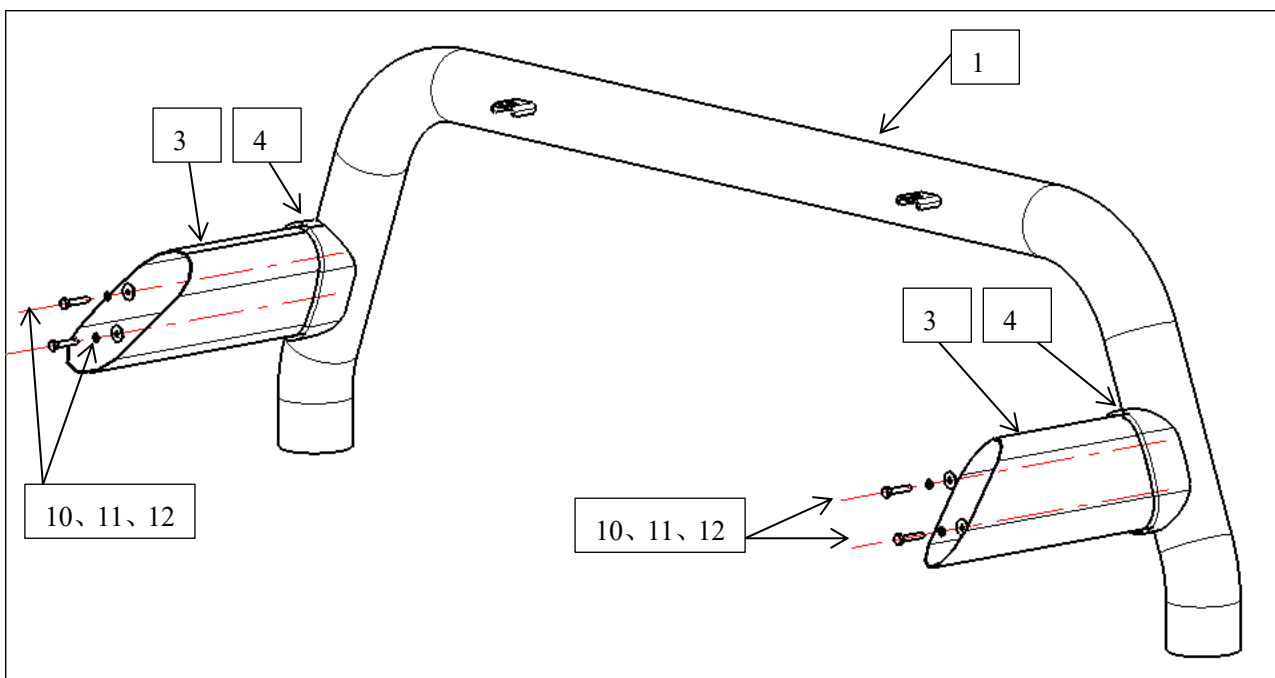
InstallationSteps

Installation Fig.

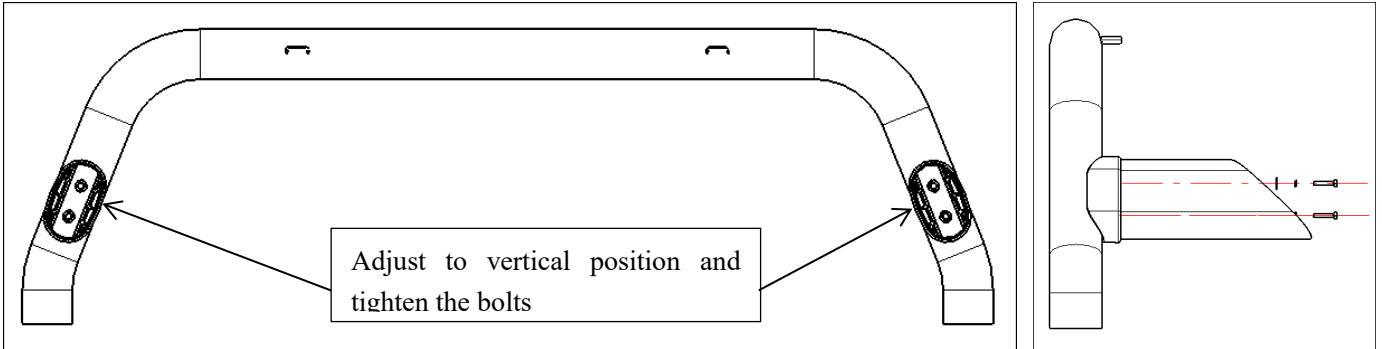
Step 1: Connect SIDE TUBE ③ and FRONT PLASTIC COVER ④ by standard part M6*30 bolt assembly ⑩⑪⑫ to FRONT MAIN TUBE ①;

Note: Adjust SIDE TUBE ③ and FRONT MAIN TUBE ① to vertical position and tighten all bolts.

As below picture shows:



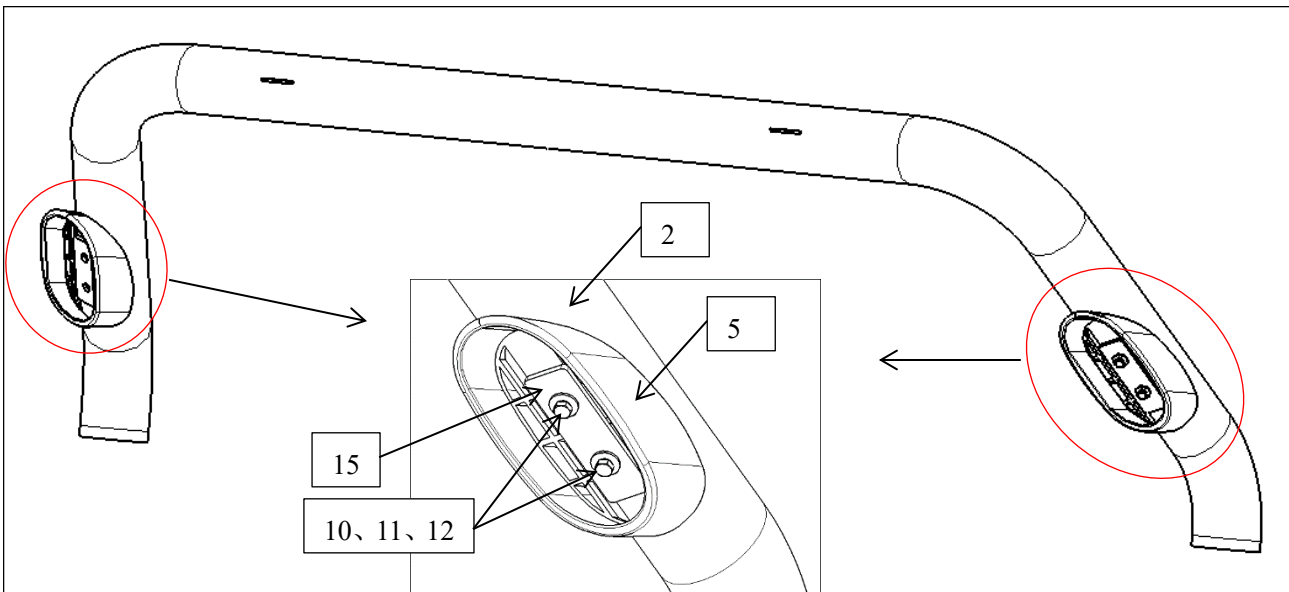
INSTALLATION INSTRUCTIONS



Step 2: Install the REAR PLASTIC COVER (5) by PLATE (15), STANDARD PARTS (10) (11) (12) to FRONT MAIN TUBE (2);

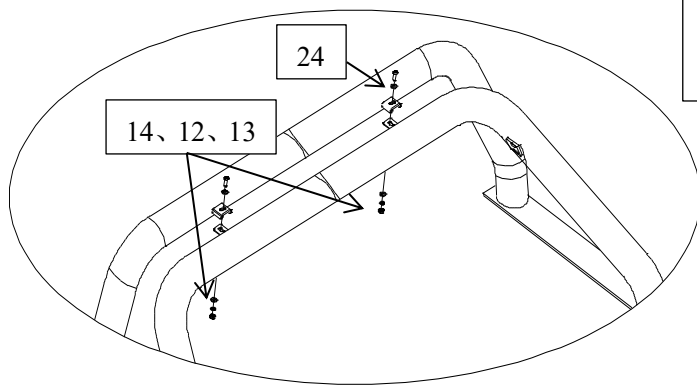
Note: Do not tighten standard part (10) (11) (12). Make sure REAR PLASTIC COVER can move.

As below picture shows:

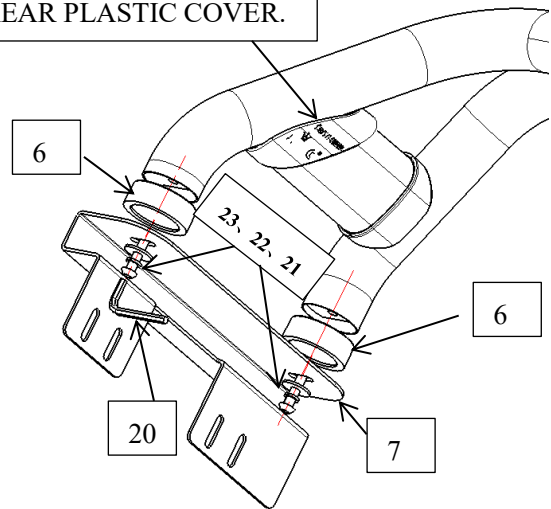


Step 3: 3-1: Connect the FRONT MAIN TUBE of Step1, REAR MAIN TUBE of Step2 as below picture.

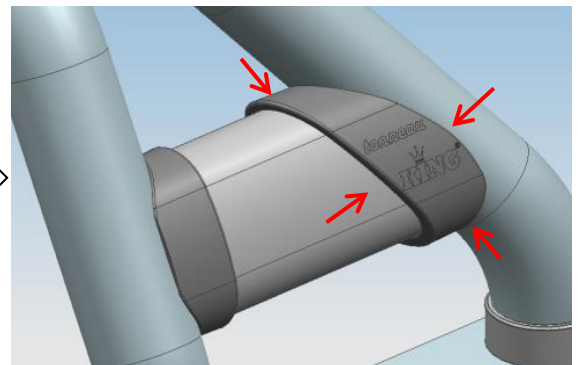
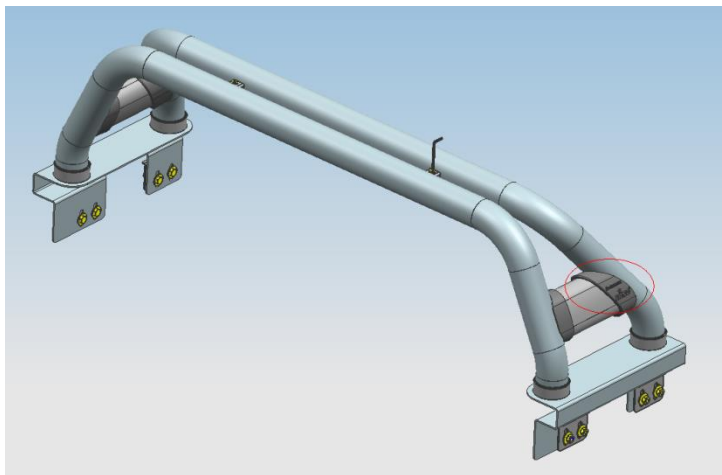
INSTALLATION INSTRUCTIONS



Install side tube inside the REAR PLASTIC COVER.



3-2: Below picture is parts after installation: use mark pen or sticker to mark up, down, left, right on the REAR PLASTIC COVER, to confirm the REAR PLASTIC COVER is in the installation position of the REAR MAIN TUBE.

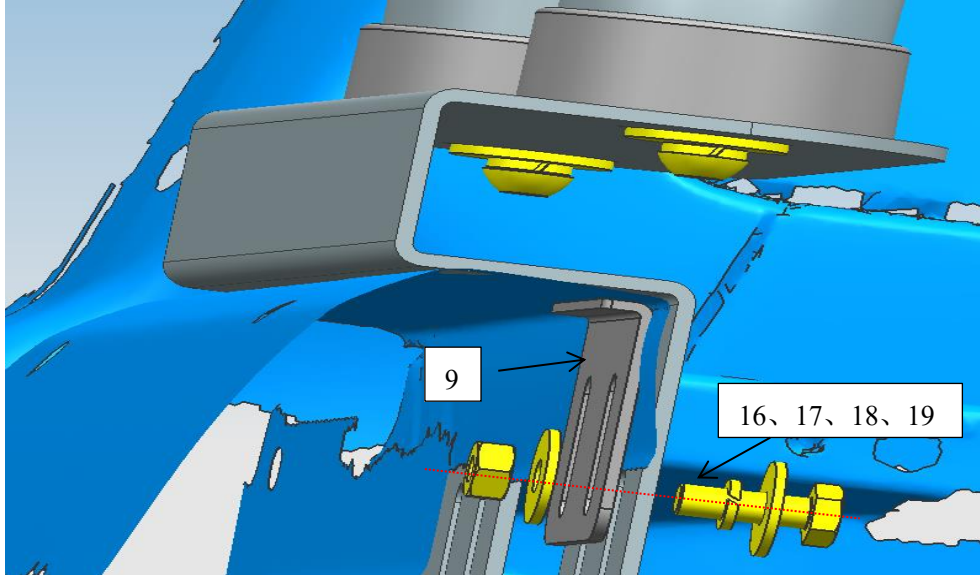


Step 4: Loosen the standard parts installed in Step3-1; Take off the REAR MAIN TUBE. Tighten the REAR PLASTIC COVER at the position marked in Step3-2.

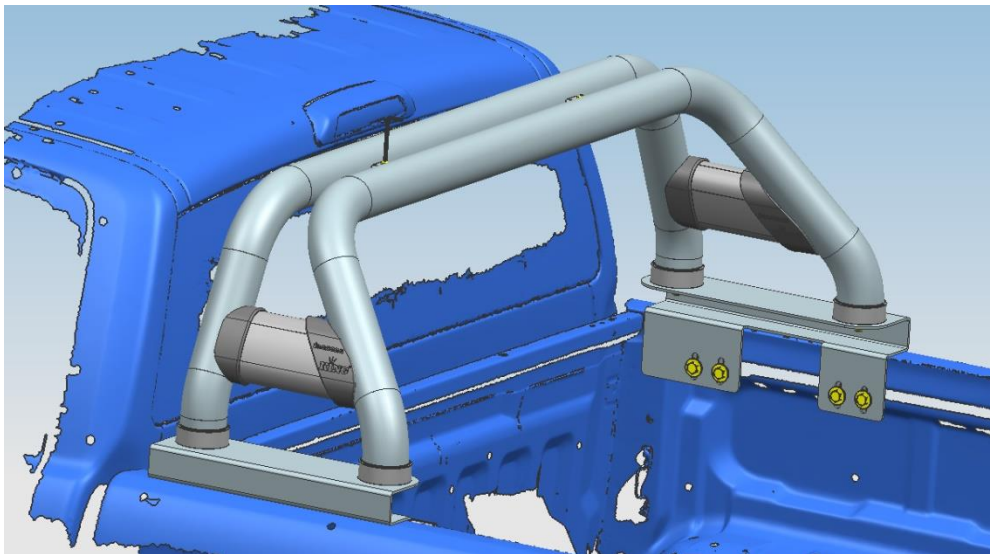
Step 5: Assemble the product as Step3-1. Tighten the standard parts.

Step 6: Put the product on the car and install it as shown in the picture below

INSTALLATION INSTRUCTIONS



Step 7: Installation is finished, pick up all tools.



NOTE

Any damages and losses caused by improper installation and application, goes beyond our quality warranty.